

RC6 RC8 RC10 VW10
Vertical Rope/Chain Windlass

VETUS-MAXWELL APAC Ltd

© Copyright Vetus-Maxwell APAC Ltd. All rights reserved.

Vetus-Maxwell APAC Ltd reserves the right to make engineering refinements on all products without notice.

Always consult manual supplied with product as details may have been revised.

Illustrations and specifications are not binding as to detail.

INTRODUCTION

- Read this manual thoroughly before installation and using the windlass. Failure to adhere to the correct procedures, recommendations and guidelines described in this Owner's Manual may invalidate the warranty.
- Correct selection of windlass together with correct installation, care in use and maintenance, are essential for long life and reliable performance.
- In addition to this instruction manual, the following components should be included with the windlass:
 - Clutch Handle
 - 12V or 24V reversing solenoid (RC6, RC8 & RC10 only)
 - Deckplate Gasket
 - Deck Cutout Details (at rear of manual)
 - Motor Bolt Kit (RC8 ,RC10,VW10 only)
 - Small parts
 - Nuts (x3 RC6,RC8) (x4 RC10,VW10)
 - Flat washers (x3 RC6,RC8) (x4 RC10,VW10)
 - Spring washers (x3 RC6,RC8) (x4 RC10,VW10)

The following accessories may be required to complete your installation:

- Remote up/down control panel
- Circuit breaker/isolator panel (Is required but not supplied)
- 12V or 24V reversing solenoid (VW10 - not supplied)

IMPORTANT INFORMATION

- The RC8, RC10 & VW10 windlasses must have a minimum pull capacity of three times the combined weight of the anchor and rope/chain.
- Keep hands, feet, loose clothing and hair well clear of the windlass and rope/chain during operation.
- Never operate the windlass from a remote station without having a clear view of the windlass.
- Do NOT use the windlass as a mooring point. When anchoring or mooring, secure the line directly to a bollard or deck cleat.
- Do NOT use the windlass to pull the boat forward when raising the anchor. Use the boat's engine to drive the boat up to the anchor.
- Do NOT attempt to break free a fouled anchor with the windlass. Secure the line to a bollard or cleat and use the boat's engine to break the anchor out.
- Always firmly tie down the anchor when under way or in heavy seas. Do not rely on the windlass as a securing device.
- Always turn the circuit breaker/isolator switch off when the windlass is not in use and before you leave the boat.
- Do NOT use the windlass to haul a person up a mast.

ROPE AND CHAIN SELECTION

Correct fit of rope and chain to chainwheel is essential for the windlass to operate properly.

The ground tackle should be selected taking into account:

- a) Boat size, displacement and windage.
- b) Conditions of operation such as maximum depth of water, type of bottom and likely weather conditions.
- c) Holding power and size of anchor, taking special note of the manufacturers' recommendations.

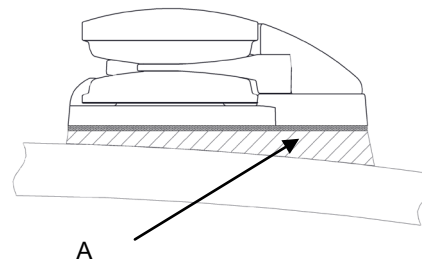
Please refer Specifications on page 4 for rope and chain selection

INSTALLATION

- For automatic operation to be possible, the anchor must be self launching.
- Tie the end of the anchor rope/chain to a secure fixture in the rope/chain locker.

Foredeck layout

Ensure the deck is flat, if not; a plinth (A) will be required to ensure the windlass sits on a flat surface.



Required clearances

Identify any bulkheads, wiring or piping under the deck that should be avoided.

Position the windlass so the rope/chain falls directly into the rope/chain locker with at least 200mm (8") unobstructed fall from the lowest part of the windlass.

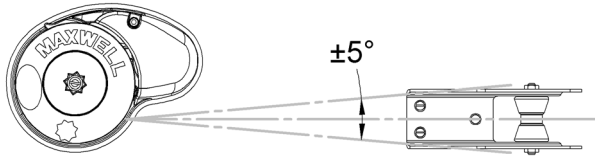
Note: If installing the windlass motor/gearbox in a 'dry' location (e.g. the forward berth) additional arrangements will be necessary to minimize / eliminate water leakage into this area. Refer to your Maxwell representative for advice.

Ensure the rope/chain does not foul on the windlass motor.

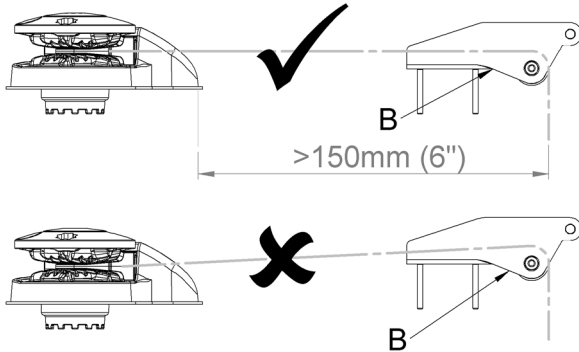
Aligning the windlass

“UP” is the clockwise rotation when looking down on the windlass.

The windlass must be positioned to allow the rope/chain to have a clear run from the bow roller (B) to the chainwheel without deflection.



The deck plate should be mounted pointing in the direction of the incoming rope/chain. This arrangement allows the rope/chain to have maximum engagement with the chainwheel.



Installation Procedure

Use the Deck Cutout Details drawing, as a guide for marking and cutting the holes.

Tip: On GRP boats, running the drill in reverse first will reduce chipping of the gel coat.

Using hole saws, cut the holes for the spacer tube and rope/chain pipe.

On GRP or wooden decks, seal the edges of the holes with epoxy to avoid ingress of moisture.

Place the gasket onto the deck.

Note: For installations where the deckplate is to be mounted directly to aluminium we recommend the windlass, studs, nuts, washers and chain are fully insulated from the aluminium. Solid plastic insulating gaskets specific for the RC6, RC8 & RC10 are available from your Maxwell distributor (7319,7320,7321).

For RC6 Models

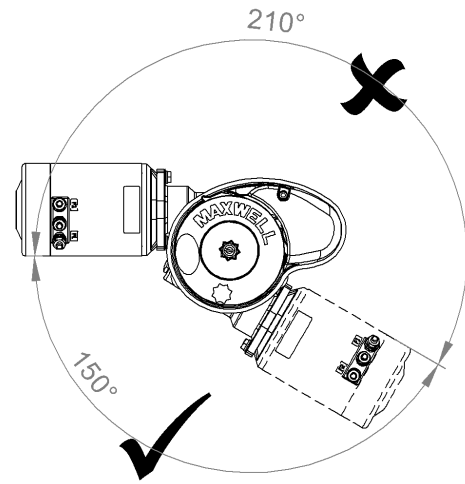
Fasten the windlass to the deck using the nuts and washers supplied. Tighten the nuts progressively and evenly. Do NOT use power tools. Make sure the installation is firm, but do not over tighten the nuts.

For RC8, RC10 and VW10 Models

Remove the gearbox from the spacer tube by releasing the quick release clip and undoing the locknut. Remove the gearbox key.

Fasten the windlass to the deck using the nuts and washers supplied. Tighten the nuts progressively and evenly. Do NOT use power tools. Make sure the installation is firm, but do not over tighten the nuts.

Smear a coating of grease on the shaft and spacer tube. Fit the gearbox/motor assembly to the bottom of the spacer tube. Orientate the motor away from the incoming rope/chain and then tighten the plastic locknut by hand.



Note:

If the unit is going to be mounted in such a way that it may be tilted, ensure the drainage slot and worm gear on the gearbox is at the lowest point to prevent excess water etc. sitting around the seals and to ensure worm gear is well lubricated.

Rotate the shaft by hand (or by using the clutch handle) to align the keyway in the shaft with the keyway in the gearbox. Insert the key into the keyway.

Fit the quick-release clip into the groove in the bottom of the shaft to secure the key. Make sure the eyelets are facing down and away from keyway.

Important note to Boat Builders

Experience has shown that, on long ocean deliveries as deck cargo, sulphur from the ships exhaust and condensation can damage the chrome plating and stainless steel of the windlass.

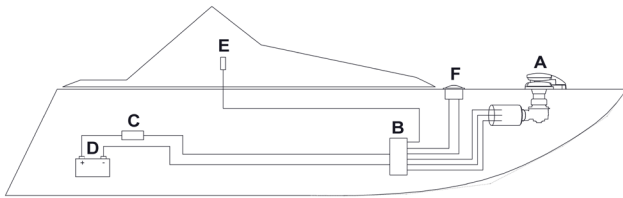
We recommend, after completing installation, you spray the top works of the windlass with CRC 3097 “long life” and wrap the windlass with plastic film and tape.

WIRING INSTRUCTIONS

Installation must be carried out in accordance with USCG, ABYC, NMMA or other relevant local electrical requirements.

We recommend that connection of the power lines and control circuitry to the windlass be done by qualified technicians, to ensure reliable and safe operation of the windlass.

After all connections have been made and system tested, seal terminals against moisture by spraying with: CRC2043 “Plasti-Coat”, CRC3013 “Soft Seal” or CRC2049 “Clear Urethane”.



Solenoid pack (Required)

The solenoid pack (B) should be located in a dry area close to the windlass, not in the rope/chain locker.

Circuit breaker/isolator (Required)

! FOR SAFETY - The winch circuit requires protection provided by an isolator switch and either a fuse or circuit breaker, rated as follows:

RC6	12V	: 70amp
RC6	24V	: 40amp
RC8-6	12V	: 80amp
RC8-6	24V	: 40amp
RC8-8	12V	: 135amp
RC8-8	24V	: 80amp
RC10	12V	: 135amp
RC10	24V	: 80amp
VW10	12V	: 135amp
VW10	24V	: 80amp

Position the circuit breaker/isolator (C) no further than 1.8 m (6 ft) away from the battery (D) in an accessible and dry location.

Remote control panel (Recommended)

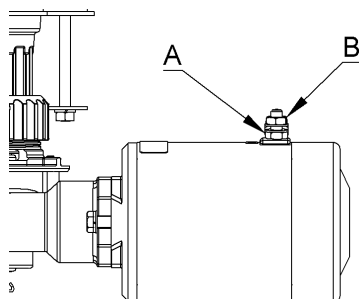
The remote control panel (E) should be mounted in a convenient location (such as the bridge, helm or cockpit) so that the operator can see the windlass.

Footswitch (Optional).

For safe operation, the footswitch (F) should be approximately 500 mm (20") from the windlass (A). The below-deck part of the footswitch must be in a dry environment and the breather holes must be kept clear. The arrows on the footswitch should be arranged to indicate the direction of operation. Fit the switch according to the instructions supplied. Connect wiring as shown.

Motor

When tightening the cables to the motor, ensure the lower nut (A) is secure against turning when tightening the upper nut (B). This will prevent damage occurring within the motor.



OPERATION

CAUTION:

When operating the windlass:

- Keep fingers, hair or other loose items clear of the chainwheel.
- Do not switch immediately from one direction to the other. Wait for the windlass to stop in one direction before applying power in the other direction.
- Run the boat's motor(s) at sufficient rpm to activate the charging system.

When operating the Capstan:

- Make sure that you do not operate the footswitch accidentally while putting extra turns on the capstan.
- Keep your fingers clear of the chainwheel and/or capstan.

Always make sure the isolator switch is turned off when the system is not being used.

Lowering the Anchor

Insert the clutch handle into the clutch nut and tighten the clutches by turning the nut clockwise. Only tighten sufficiently so that you can easily pull up the anchor. Remove the clutch handle.

Operate the windlass by pressing the toggle switch down on the remote up/down control panel to pay out the rope/chain (or press the "Down" footswitch if fitted).

Pay out sufficient rope/chain to set the anchor.

Watch as the rope/chain is being fed out. Any jam might cause damage to the windlass.

Always use a chainstopper, snubber or cleat to tie off when anchoring. This will protect the windlass from shock loading.

Raising the Anchor

Insert the clutch handle into the clutch nut and tighten the clutches by turning the nut clockwise. Only tighten sufficiently so that you can easily pull up the anchor. Remove the clutch handle. NOTE: Over tightening the clutches can cause damage to the motor when docking the anchor.

Operate the windlass by pressing the toggle switch up on the remote up/down control panel (or press the "Up" footswitch if fitted).

Motor up to the anchor while retrieving it. Do not use the windlass to pull the boat to the anchor.

To avoid damaging the bow fitting, retrieve the last meter (3') of rope/chain slowly and take care when docking the anchor.

Note: To avoid applying the full force of the windlass to the bow fitting when docking the anchor, adjust the clutch nut so that there is some slippage when docking the anchor.

DO NOT use the windlass to secure the anchor into the bow roller. Use an appropriate tensioner or snubber.

Free falling the Anchor

Insert the clutch handle into the clutch nut and loosen by slowly turning the handle anticlockwise.

Tightening the clutch nut clockwise will control the rate of descent.

CAUTION: Do not allow the chainwheel to free wheel uncontrolled as this will allow dangerously high speeds to build up.

Raising the Anchor Manually: RC8/RC10/VW10 models only

Clamp the rope/chain so that it does not pay out when the clutch is released.

Insert the clutch handle into the clutch nut and turn anticlockwise to loosen the clutch.

Insert the clutch handle into the outer bi-square of the chainwheel and rotate clockwise to pull in the line.

WARNING: There is no self-locking mechanism to prevent the windlass from turning freely during manual operation. The rope/chain must be clamped before the clutch handle is removed from the chainwheel and the clutch must be re-tightened.

Using the Capstan Drum for Rope Warping: RC8,RC10 and VW10 Capstan models only

The vertical capstan can be used independently from the chainwheel. This is ideal for handling mooring or docking lines, or retrieving a second anchor. For safety reasons, a footswitch is highly recommended.

To haul in using the capstan:

Make sure the anchor is secured.

Insert the clutch handle into the clutch nut and turn anticlockwise until rotation stops. This will release the mechanism so that the chainwheel remains stationary while you operate the capstan.

Wind up to three turns of rope onto the drum in a clockwise direction. Maintaining a light 'tailing' pull on the free end, start the capstan using the UP foot switch. As the capstan rotates, increase pull and 'tail' hand over hand to haul the rope. Reduce pull to slip the rope if required. To hold, stop the capstan while maintaining pull on the rope.

MAINTENANCE

Every Trip

- Ensure clutch is adjusted correctly
- Wash down topworks with fresh water
- Check rope for wear and wash down with fresh water

Every 3 Months

- Remove chainwheel. Strip and grease clutch
- Split gearbox from spacer tube, clean and re-grease mating faces – *RC8, RC10 & VW10 Models only*
- Spray fresh water into drainage slot on gearbox, to breakdown and flush away any build up of salt/debris, which may have accumulated – *RC8, RC10 & VW10 Models only*.
- Check level of oil in gearbox using the sight glass. If necessary top up. – *RC8, RC10 & VW10 Models only*
- Clean the Windlass with a cloth damp with Kerosene (paraffin). Spray preferably with CRC3097 "Long Life" or alternatively, CRC6-66 or WD40. Polish off with a clean non-fluffy cloth.
- The under deck components should be sprayed, preferably with CRC 3097 "Long Life" or alternatively, CRC6-66 or WD40.
- Check tightness of all fasteners.

Every Year

- The motor should be serviced by a qualified technician.
- Remove any rust build up from the casing and paint with a suitable coating

Every 3 Years

- The gearbox should be serviced by an authorised service agent.

Specifications

Electric Motor	: Direct Current motor
Voltage	: 12V DC or 24V DC
Rated Output	: RC6: 500W
	: RC8-6: 600W
	: RC8-8: 1000W
	: RC10-8: 1000W
	: RC10-10: 1200W
	: VW10-8: 1000W
	: VW10-10: 1200W

Maximum Pull	: RC6: 350kg (770 lbs)
	: RC8-6: 350kg (770 lbs)
	: RC8-8: 600kg (1320 lbs)
	: RC10-8: 700kg (1540 lbs)
	: RC10-10: 850kg (1870 lbs)
	: VW10-8: 700kg (1540 lbs)
	: VW10-10: 850kg (1870 lbs)

Haulage speed	: RC6: 21-24 m/min 69-79 ft/min
(Dependant on the load)	: RC8-6: 24-29 m/min 79-92 ft/min
	: RC8-8: 28-32 m/min 92-105 ft/min
	: RC10-8: 20-24 m/min 65-79 ft/min
	: RC10-10: 20-24 m/min 65-79 ft/min
	: VW10-8: 20-24 m/min 65-79 ft/min
	: VW10-10: 20-24 m/min 65-79 ft/min

Rope size	: RC6: 12mm (1/2")
	: RC8-6: 12mm (1/2")
	: RC8-8: 14-16mm (9/16"-5/8")
	: RC10-8: 14-16mm (9/16"-5/8")
	: RC10-10: 16mm (5/8")
	: VW10-8: 14-16mm (9/16"-5/8")
	: VW10-10: 16mm (5/8")

Chain size	: RC6: 6mm-7mm (1/4") short ink
	: RC8-6: 6mm-7mm (1/4") short link
	: RC8-8: 8mm (5/16") short link
	: RC10-8: 8mm (5/16") short link
	: RC10-10: 10mm (3/8") short link
	: VW10-8: 8mm (5/16") short link
	: VW10-10: 10mm (3/8") short link

Net weight	: RC6: 8.5kgs (18.7lbs)
	: RC8-6: 12.5kgs (27.5lbs)
	: RC8-8: 16.5kgs (36.3lbs)
	: RC10-8: 19kgs (42lbs)
	: RC10-10: 20kgs (44lbs)
	: RC10-8: 21kgs (capstan) (46 lbs)
	: RC10-10: 22kgs (capstan) (49 lbs)
	: VW10-8: 20kgs (capstan) (43 lbs)
	: VW10-10: 21kgs (capstan) (46 lbs)

Recommended lubricants:

Gearbox oil RC8, RC10 & VW10 only:

Capacity: 70 ml (2.4 fl oz)

Type: SAE viscosity grade 90-110 (e.g., Shell Omala 320, Castrol Alpha SP320 or other approved equivalents).

Main shaft, bearing, and clutch surfaces:

Marine grease, Lithium or Lithium complex based (e.g. Duckhams Keenol or Castrol LMX). Do not use soap based greases.

WARNING:

When re-assembling care must be taken to ensure the key/keys are properly seated in the shaft. DO NOT wrap the motor with grease cloth as this prevents the cooling of the motor.

Ordering Spare Parts

Always consult manual supplied with product as details may have been revised.

When ordering spare parts, please quote the following details.

Windlass Model _____

Serial number _____

Power supply _____

Note: For your nearest retailer, service agent or representative please refer to our website www.maxwellmarine.com

! **NOTE:** Cable length is the total length from battery to winch then back to battery.

Note: Cable size recommendations are based on a maximum 10% voltage drop when operating the windlass under load, smaller cables may be used however a drop in performance can be expected.

Cable Lengths

RC6 12V Systems		
Cable Length	Cable Size	
	mm ²	AWG
Up to 10m (35')	14	6
10m - 20m (35' - 62')	22	4

RC6 24V Systems		
Cable Length	Cable Size	
	mm ²	AWG
Up to 10m (35')	8.8	8
10m - 20m (35' - 65')	10.5	7

RC8-6 12V Systems		
Cable Length	Cable Size	
	mm ²	AWG
Up to 10m (15' - 35')	14	6
10m - 15m (35' - 50')	22	4
15m - 20m (50' - 65')	34	2

RC8-6 24V Systems		
Cable Length	Cable Size	
	mm ²	AWG
Up to 10m (35')	8.8	8
10m - 20m (35' - 65')	14	6

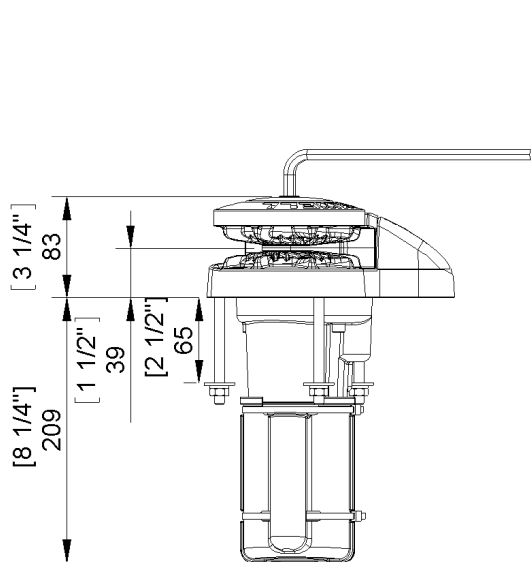
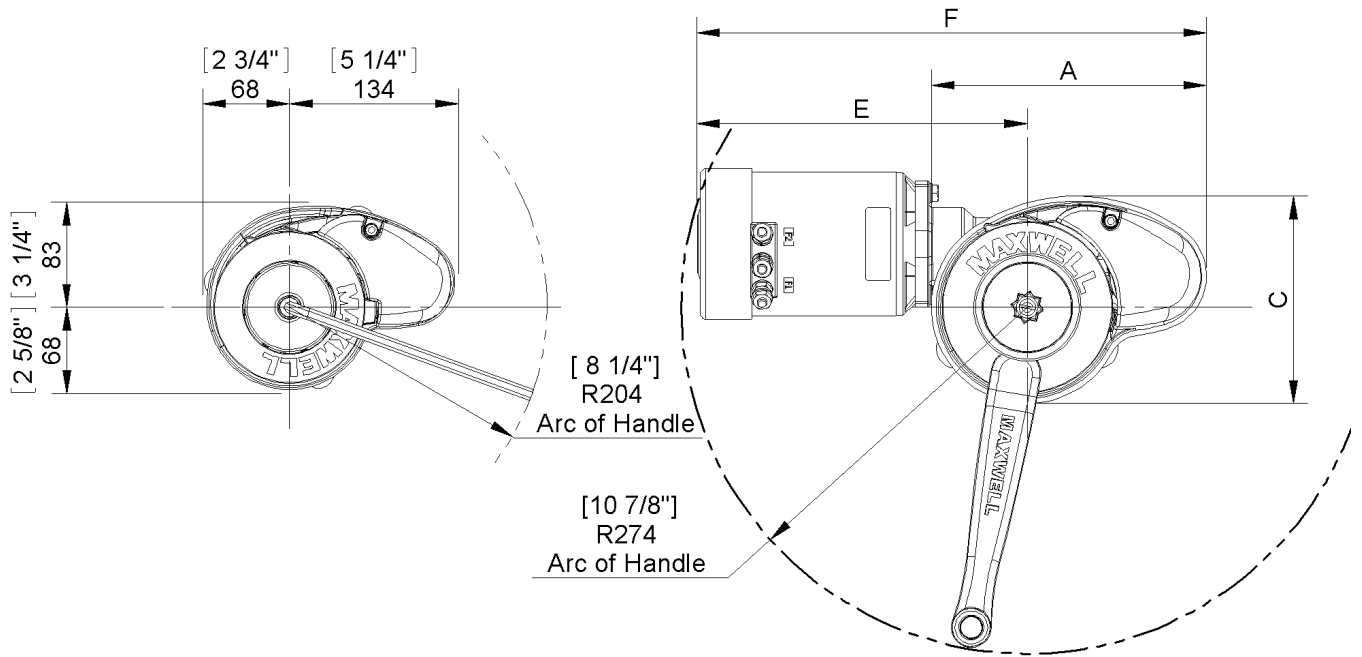
RC8-8 12V Systems		
Cable Length	Cable Size	
	mm ²	AWG
Up to 10m (35')	22	4
10m - 20m (35' - 65')	34	2
20m - 28m (65' - 91')	54	0

RC8-8 24V Systems		
Cable Length	Cable Size	
	mm ²	AWG
Up to 18m (40')	6.5	9
18m - 28m (40' - 91')	10.5	7

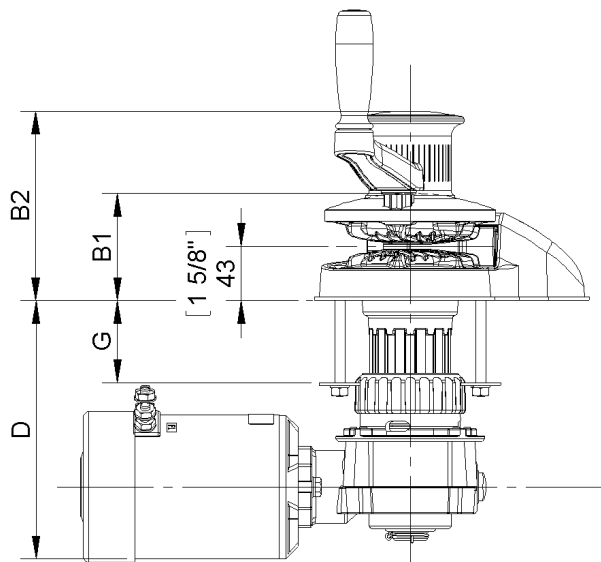
RC10/ VW10 12V Systems		
Cable Length	Cable Size	
	mm ²	AWG
Up to 10m (35')	22	4
10m - 15m (35' - 50')	34	2
15m - 20m (50' - 65')	42	1
20m - 25m (65' - 82')	54	0
25m - 32m (82' - 105')	68	00

RC10/ VW10 24V Systems		
Cable Length	Cable Size	
	mm ²	AWG
Up to 15m (50')	10.5	7
15m - 25m (50' - 82')	16	5
25m - 32m (82' - 105')	22	4

Overall Dimensions



RC6



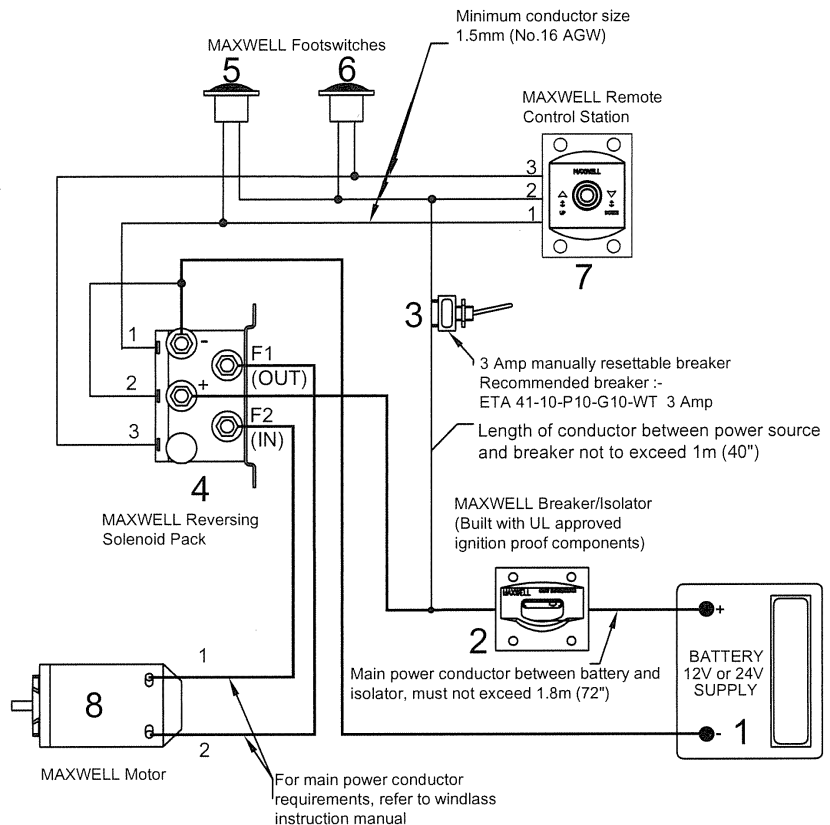
RC8 / RC10 / VW10

	RC8-6		RC8-8		RC10		VW10	
	mm	in	mm	in	mm	in	mm	in
A	210	8 1/4	210	8 1/4	230	9 1/8	172	6 7/8
B¹	83	3 1/4	83	3 1/4	89	3 1/2	89	3 1/2
B² (with capstan)	146	5 1/4	146	5 3/4	168	6 5/8	168	6 5/8
C	156	6 1/8	156	6 1/8	170	6 3/4	140	5 5/8
D (standard deck clearance)	200	7 7/8	208	8 1/4	251	9 7/8	251	9 7/8
D (special deck clearance)	300	12	308	12 1/8	201	7 7/8	201	7 7/8
E	245	9 5/8	272	10 3/4	272	10 3/4	272	10 3/4
F	383	15	410	16 1/4	424	16 3/4	424	16 3/4
G (standard deck clearance)	65	2 1/2	65	2 1/2	100	4	100	4
G (special deck clearance)	165	6 1/2	165	6 1/2	50	2	50	2

Wiring Schematic

Typical wiring to suit:
RC6, RC8-6

- 1: Battery
- 2: Breaker/Isolator
- 3: Manually resettable 3 Amp breaker
- 4: Solenoid Pack
- 5: Up Foot Switch
- 6: Down Foot Switch
- 7: Remote control panel
- 8: Motor



Permanent Magnet Motor

Typical wiring to suit:
RC8-8, RC10-8, RC10-10,
VW10-8, VW10-10

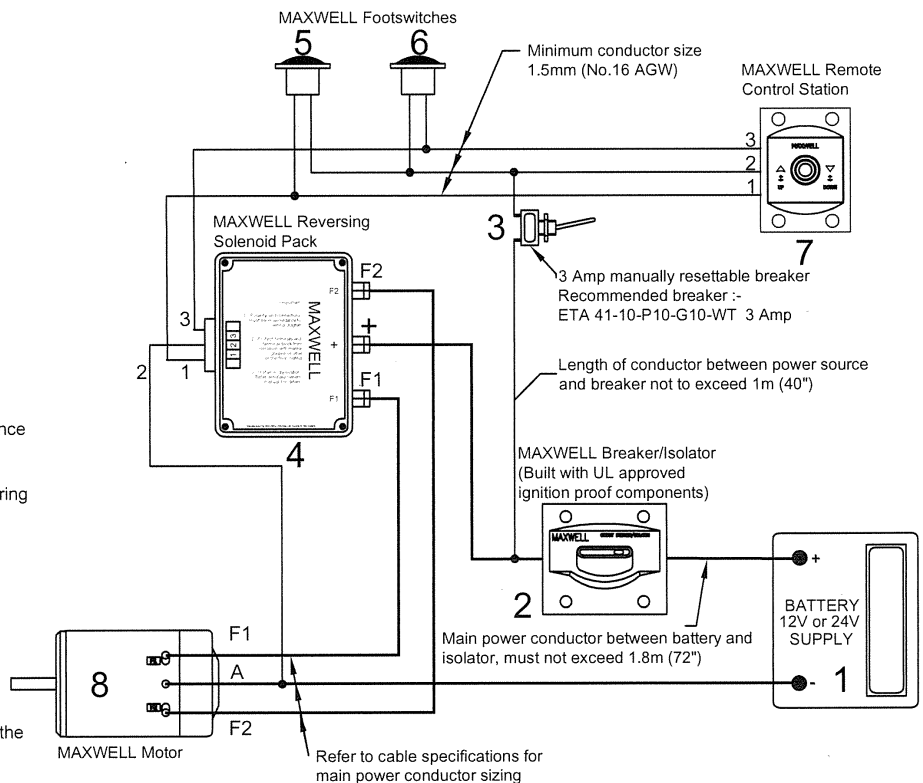
Note:

All installations should be carried out in accordance with USCG, ABYC, NMMA requirements.

All main power conductor terminals are to be of ring type and all terminations are to be sleeved to protect against accidental shorting.

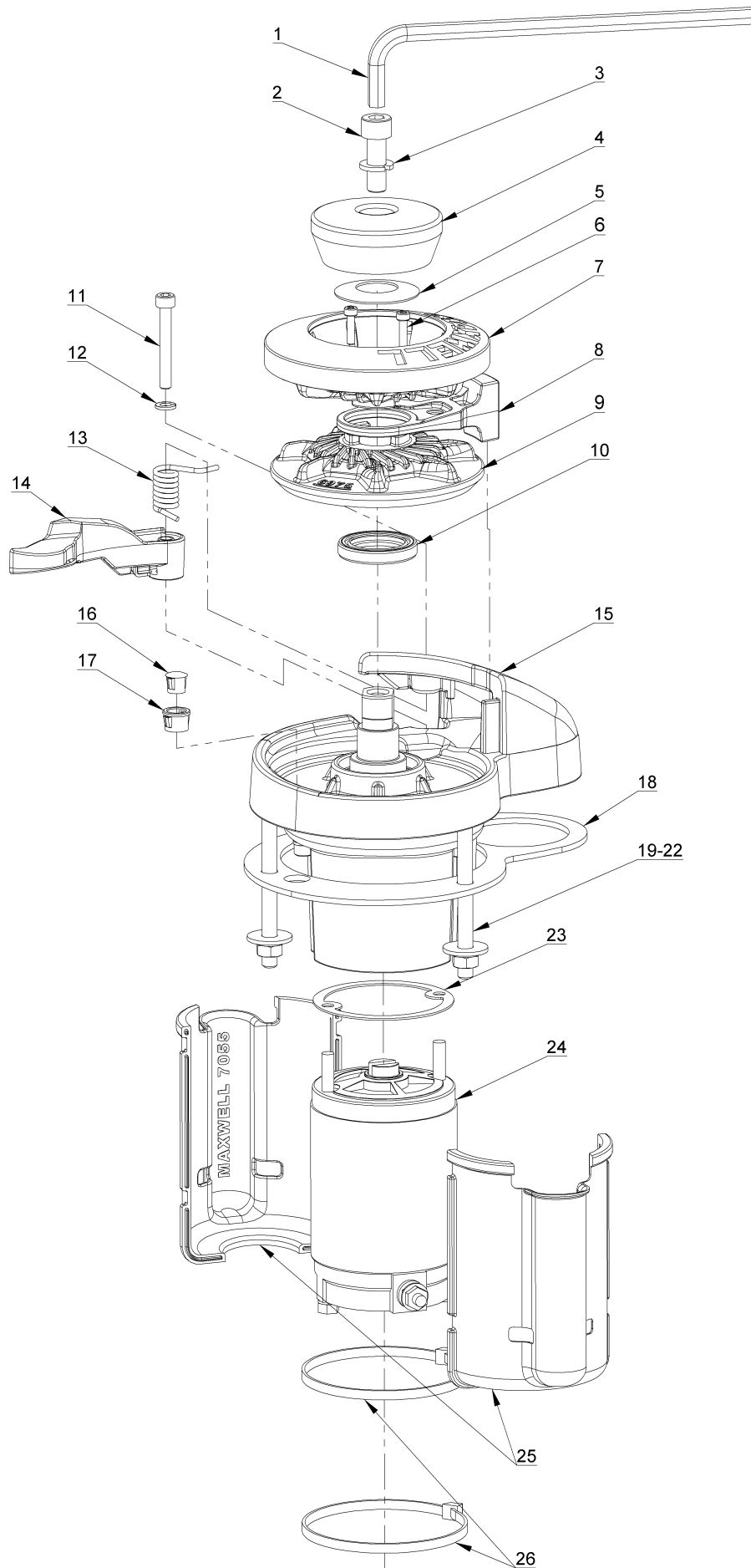
After installation and all necessary tests - Seal terminals against moisture by spraying with CRC2403 "plasti-coat", CRC3013 "soft seal" or CRC2409 "clear urethane"

Check rotation of winch before application of chain/rope. Swapping F1 and F2 terminals or connection 1 and 3 on solenoid box will change the rotation of winch.



Series Wound Motor

Windlass Parts RC6 Model

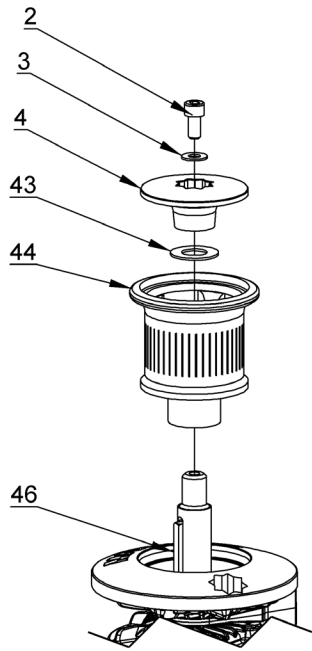


Windlass Parts RC6 Model

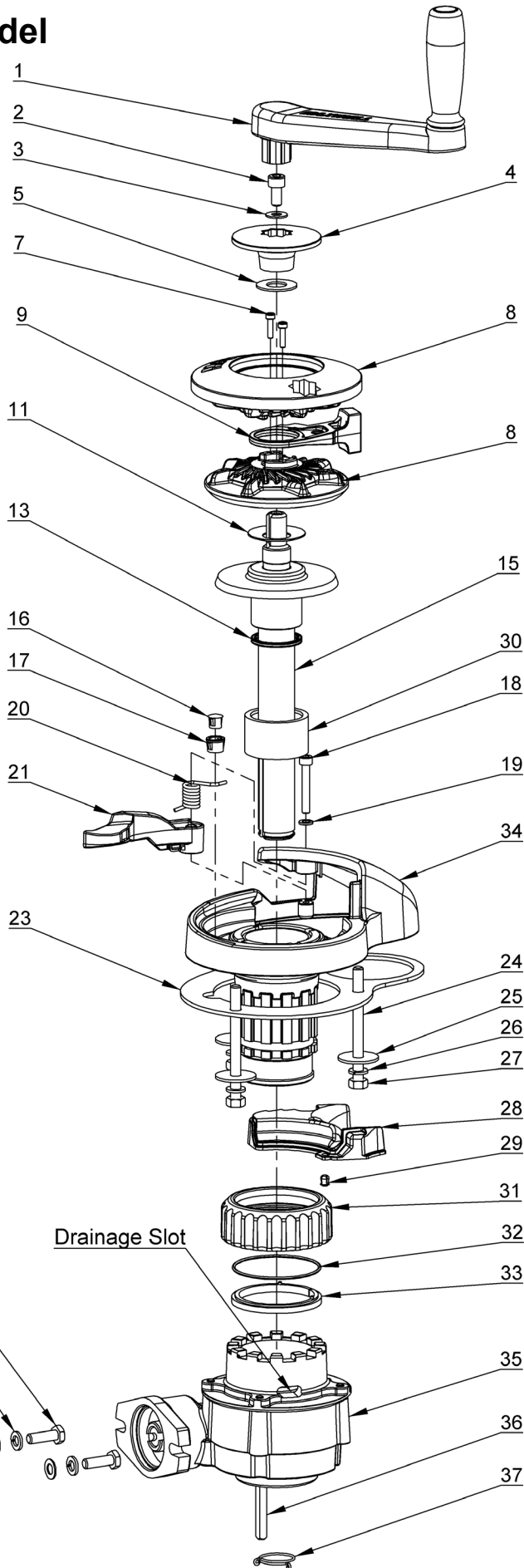
Item no.	Component description	Qty	Part to order	Includes
1	Handle	1	SP3505	
2	Capscrew – M10 x 30	1	SP0169	
3	Spring washer – M10	1	SP0466	
4	Clutch cone	1	7061C	
5	Bellville washer	1	SP0484	
6	Cap Screws	2	SP4508	
7	Chainwheel - upper - 6mm-1/4"	1	P103314	6(x2),7,8,9
8	Stripper	1	7010	
9	Chainwheel - lower - 6mm-1/4"	1	P103314	6(x2),7,8,9
10	Oil Seal	1	SP2795	
11	Capscrew – M6 x 45	1	SP4501	
12	Spring washer – M6	1	SP0474	
13	Pressure Arm spring	1	7037	
14	Pressure Arm	1	7009	
15	Deckplate	1	P102569	New windlass
16	Plug	1	SP3519	
17	Bush	1	SP3518	
18	Gasket – Deck	1	7066	
19	Stud	3	4281	
20	Flat washer	3	P101667	20,21,22
21	Spring washer	3	P101667	20,21,22
22	Nut M8	3	P101667	20,21,22
23	Gasket – Motor	1	7063	
24	Motor – 12V	1	SP4189	
25	Motor cover	2	7055	
26	Cable tie	2	SP3527	
Not Shown	Replacement Brush kit for motor	1	SP2932	
Not Shown	Motor Gaskets	2	SP2931	

Windlass Parts RC8 Model

Chainwheel Identification		
	Upper chainwheel	Lower Chainwheel
6mm Chainwheel	Part No. 6974	Part No. 6975
8mm Chainwheel	Part No. 7004	Part No. 7005



Capstan parts



Drainage Slot

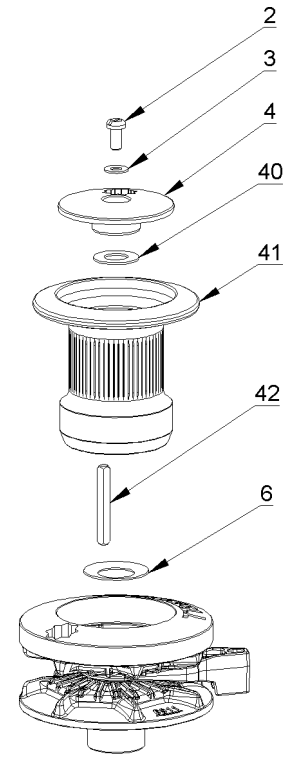
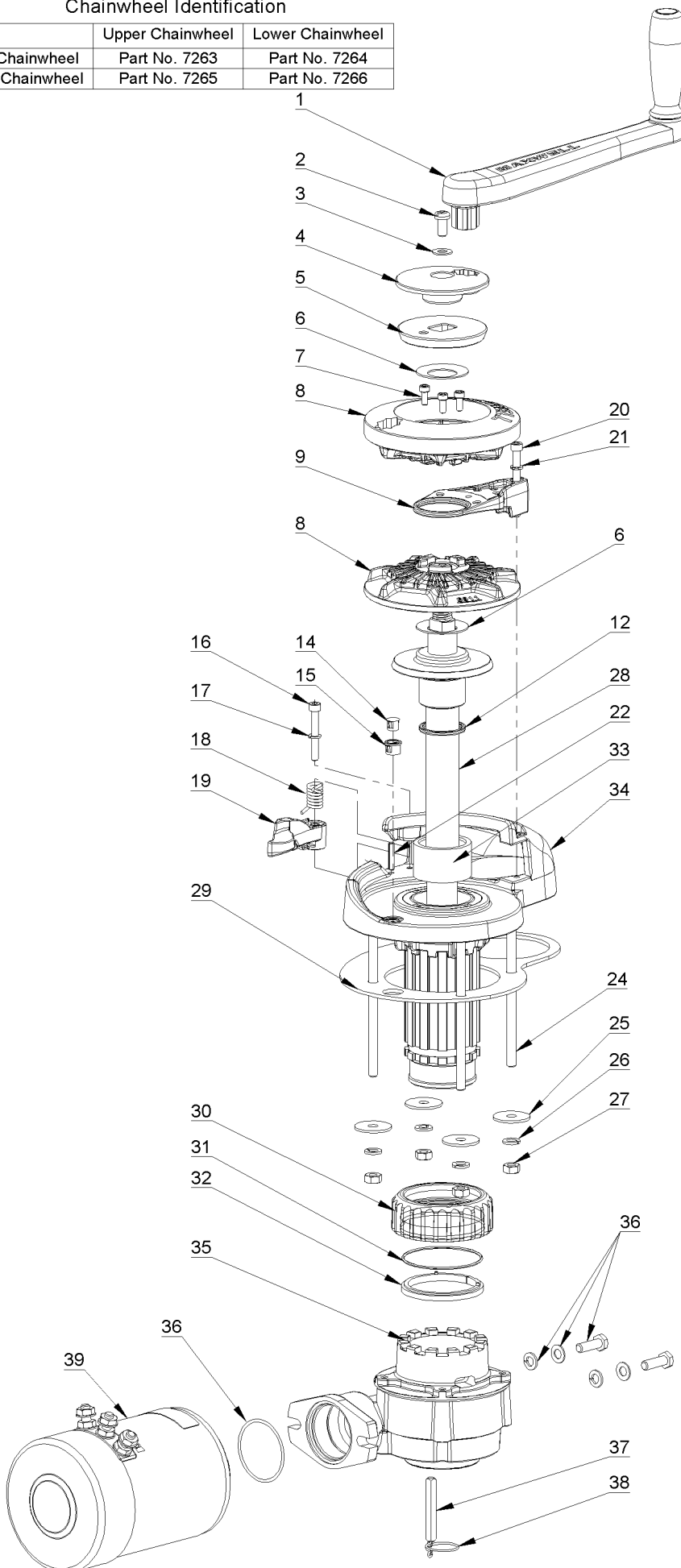
Windlass Parts RC8 Model

Item no.	Component description	Qty	Part to order	Includes
1	Handle	1	P103864	
2	Cap Screw - M8 x 16	1	SP4505	
3	Washer	1	SP0428	
4	Clutch Nut	1	4376C	
5	Tab washer	1	4220	
7	Cap Screw	2	SP0178	
8	Chainwheel - 6-7mm-1/4"	1	P103310	7(x2),8,9
	Chainwheel - 8mm-5/16"	1	P103311	7(x2),8,9
9	Stripper	1	7010	
11	Belleville washer	1	SP0484	
13	Quad Ring	1	SP2758	
15	Shaft – 65 TDC	1	P100016	13,15
	Shaft – 65 TDC - Capstan	1	P100017	13,15
	Shaft – 165 TDC	1	P100047	13,15
	Shaft – 165 TDC - Capstan	1	P100048	13,15
16	Plug	1	SP3519	
17	Bush	1	SP3518	
18	Cap Screw - M6 x 40	1	SP0159	
19	Spring washer – M6	1	SP0474	
20	Pressure Arm spring	1	7037	
21	Pressure Arm	1	7009	
23	Gasket	1	7076	
24	Stud – M8 – 65 TDC	3	4281	
	Stud – M8 – 165 TDC	3	4359	
25	Flat washer	3	3597	
26	Spring washer – M8	3	SP0467	
27	Hx. Hd. Nut – M8	3	SP0366	
28	Deck insert	1	7008	
29	Rivet	1	SP0536	
30	Bearing	1	4218	
31	Locknut	1	4257	
32	O-Ring	1	SP2751	
33	Collar	1	4258	
34	Deckplate Assembly - 65 TDC	1	P104714	24(x3),30,34
	Deckplate Assembly - 165 TDC	1	P104715	24(x3),30,34
35	Gearbox	1	P100900	
36	Key	1	6340	
37	Quick Release Clip	1	4547	
38	Bolt - M8 x 25	2	P12487	38,39,40
39	Spring Washer – 5/16"	2	P12487	38,39,40
40	Flat Washer	2	P12487	38,39,40
41	O-Ring	1	SP2787	
42	Motor - 12V - 600W	1	P10068	
	Motor - 24V - 600W	1	P10069	
	Motor - 12V - 1000W	1	P12072	
	Motor - 24V - 1000W	1	P12074	
43	Flat Washer	1	SP0421	
44	Capstan	1	4170	
46	Key	1	3462	
Not Shown	Replacement brush kit for 600W 12/24V	1	SP2932	
Not Shown	Replacement brush kit for 1000W 12V	1	P100807	
Not Shown	Replacement brush kit for 1000W 24V	1	P100808	

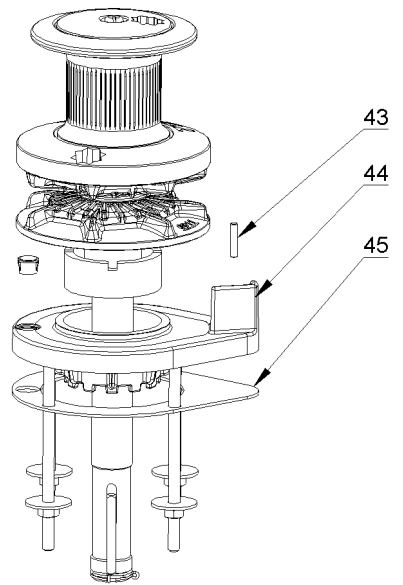
Windlass Parts RC10 /VW10 Model

Chainwheel Identification

	Upper Chainwheel	Lower Chainwheel
8mm Chainwheel	Part No. 7263	Part No. 7264
10mm Chainwheel	Part No. 7265	Part No. 7266



Capstan Arrangement



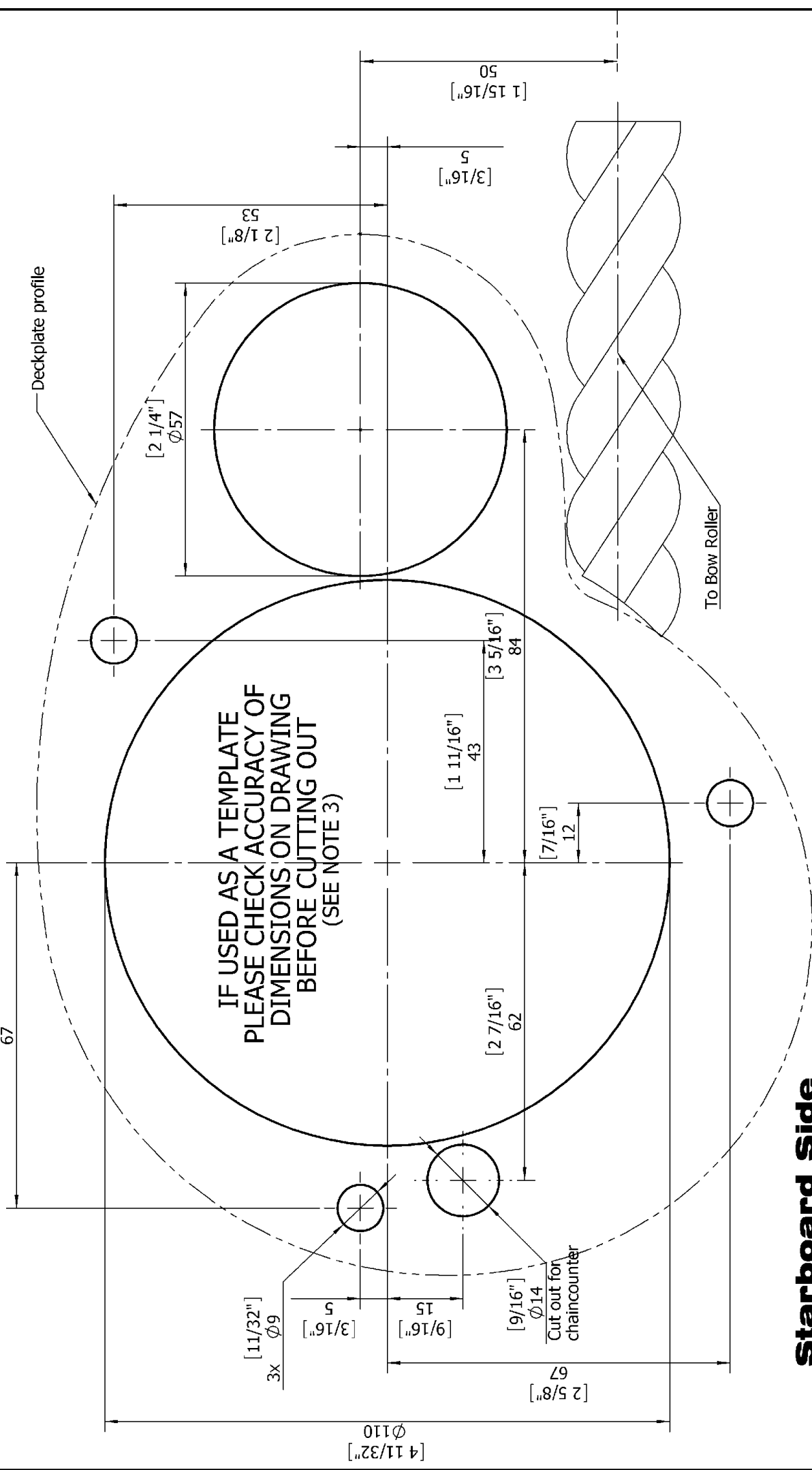
VW10 Arrangement

Windlass Parts RC10 /VW10 Model

Item no.	Component description	Qty	Part to order	Includes
1	Handle	1	P103864	
2	Cap Screw - M8 x 16	1	SP4505	
3	Washer	1	SP0428	
4	Clutch Nut	1	6914	
5	Clutch Cone - Upper	1	6090	
6	Belleville Washer	2	SP0488	
7	Cap Screw	3	SP4503	
8	Chainwheel - 8mm-5/16"	1	P103308	7(x3),8,9
	Chainwheel - 10mm-3/8"	1	P103309	7(x3),8,9
9	Stripper	1	6915	
12	Quad Ring	1	SP2758	
14	Plug	1	SP3519	
15	Bush	1	SP3518	
16	Cap Screw - M6 x 45	1	SP4501	
17	Spring Washer	1	SP0474	
18	Spring	1	7037	
19	Pressure Arm	1	7009	
20	Cap Screw - M6 x 60	1	SP4502	
21	Spring Washer	1	SP0474	
22	Pin	1	SP0545	
24	Stud - 50TDC	4	4281	
	Stud - 100TDC	4	5256	
25	Washer	4	3597	
26	Spring Washer – M8	4	SP0467	
27	Nut – M8	4	SP0366	
28	Shaft Assembly- 50TDC - Capstan	1	P102527	12,28
	Shaft Assembly - 100TDC	1	P104700	12,28
	Shaft Assembly - 100TDC - Capstan	1	P104701	12,28
29	Deckplate Gasket	1	7040	
30	Locknut	1	4257	
31	O-Ring	1	SP2751	
32	Collar	1	4258	
33	Bearing	1	4218	
34	Deckplate Assembly – 50 TDC	1	P104721	24,33,34
	Deckplate Assembly - 100TDC	1	P104722	24,33,34
35	Gearbox - 56:1	1	P102730	
36	Motor bolt kit	1	P12487	
37	Key	1	6340	
38	Quick Release Clip	1	4547	
39	Motor - 12V - 1000W	1	P12072	
	Motor - 24V - 1000W	1	P12074	
	Motor - 12V - 1200W	1	P12073	
	Motor - 24V - 1200W	1	P12074	
40	Flat Washer	1	SP0421	
41	Capstan	1	7074	
42	Key - Capstan	1	6340	
43	Tension pin	1	SP0551	
44	Deckplate 10 VW	1	7416	
45	Gasket 10 VW	1	7624	
Not Shown	Replacement brush kit for motor 12V	1	P100807	
Not Shown	Replacement brush kit for motor 24V	1	P100808	

{This page intentionally left blank}

Port Side

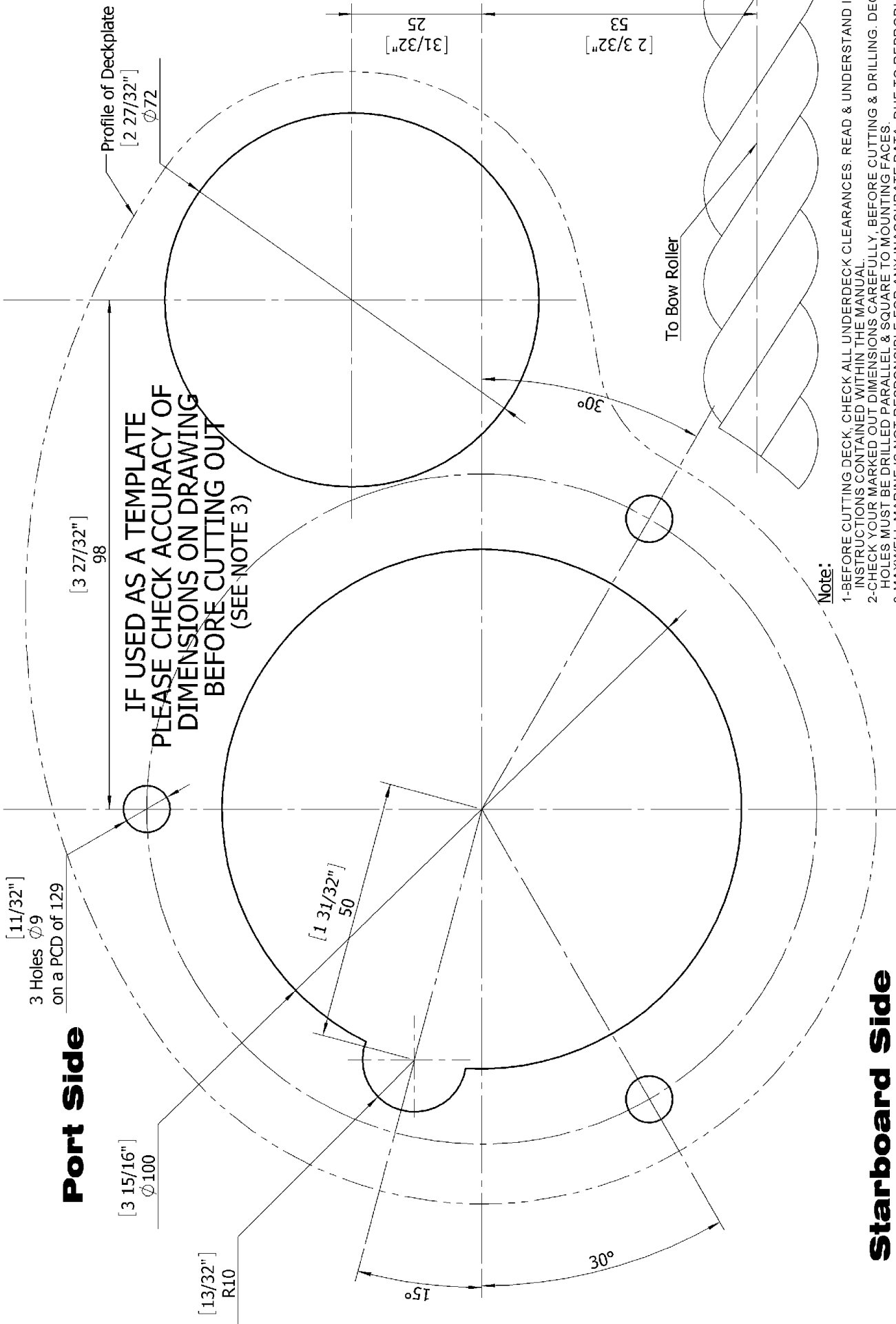


Starboard Side

Description:		Drawing No:		Revision No:	
Deck Cutout Template - RC6		7262		1.00	
Tolerances if none specified		Sheet Size		Sheet	
0 DECIMAL (X) ± 0.5		A4		1 of 1	
1 DECIMAL (XX) ± 0.2		Scale		1:1	
2 DECIMAL (XXX) ± 0.1		SURFACE FINISH		1:1	

Note:

- BEFORE CUTTING DECK, CHECK ALL UNDERDECK CLEARANCES. READ & UNDERSTAND INSTALLATION INSTRUCTIONS CONTAINED WITHIN THE MANUAL.
- CHECK YOUR MARKED OUT DIMENSIONS CAREFULLY, BEFORE CUTTING & DRILLING. DECK BOLT HOLES MUST BE DRILLED PARALLEL & SQUARE TO MOUNTING FACES.
- MAXWELL MARINE IS NOT RESPONSIBLE FOR ANY INACCURATE DATA, DUE TO REPRODUCTION ERRORS OF FAX MACHINES, PRINTERS, PHOTOCOPIERS ETC.



Port Side

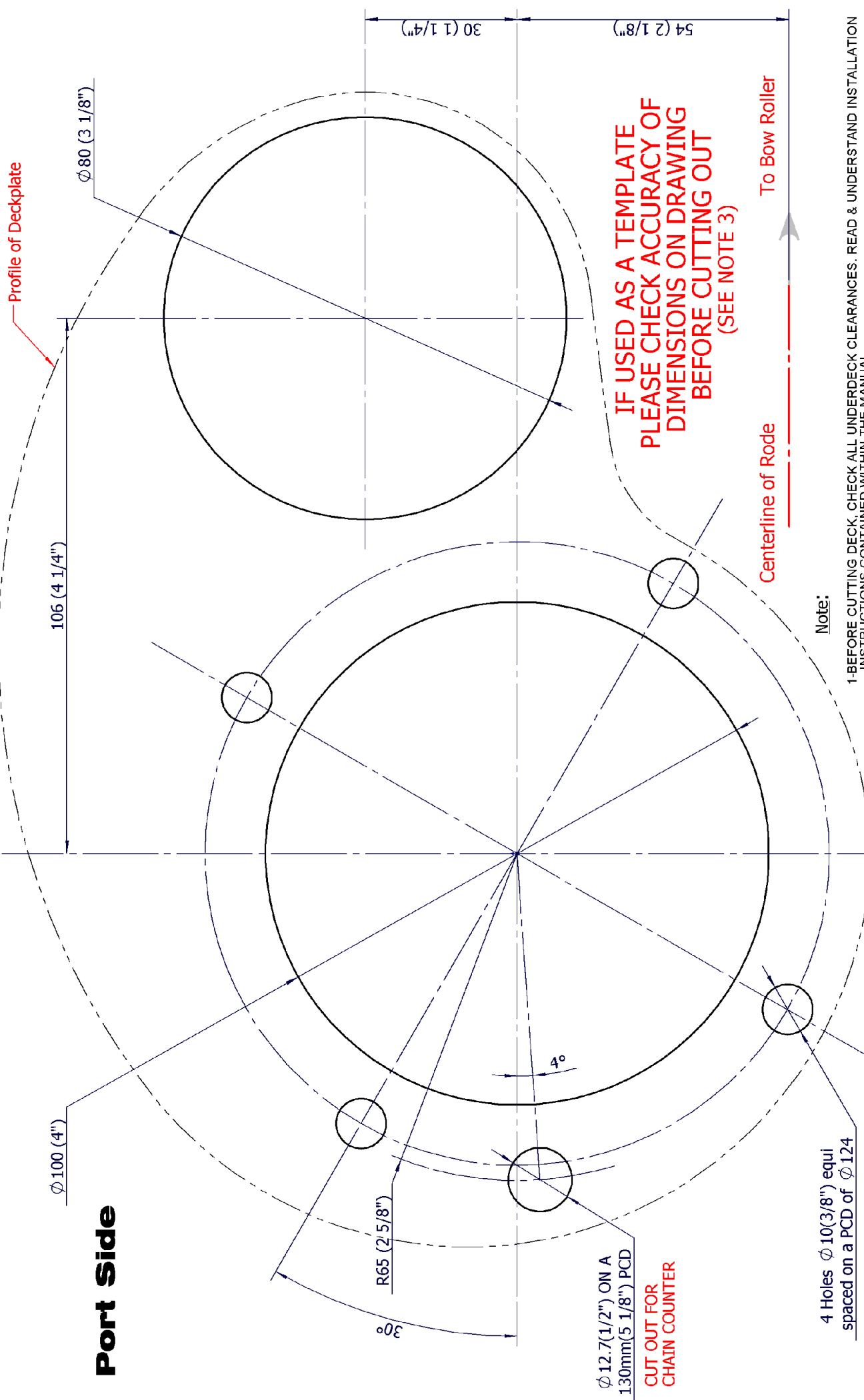
Starboard Side

IF USED AS A TEMPLATE
PLEASE CHECK ACCURACY OF
DIMENSIONS ON DRAWING
BEFORE CUTTING OUT
(SEE NOTE 3)

Note:

- 1-BEFORE CUTTING DECK, CHECK ALL UNDERDECK CLEARANCES. READ & UNDERSTAND INSTALLATION INSTRUCTIONS CONTAINED WITHIN THE MANUAL.
- 2-CHECK YOUR MARKED OUT DIMENSIONS CAREFULLY. BEFORE CUTTING & DRILLING. DECK BOLT HOLES MUST BE DRILLED PARALLEL & SQUARE TO MOUNTING FACES.
- 3-MAXWELL MARINE IS NOT RESPONSIBLE FOR ANY INACCURATE DATA, DUE TO REPRODUCTION ERRORS OF FAX MACHINES, PRINTERS, PHOTOCOPIERS ETC.

Rev.	Initial Issue	Change	Made on	Des/Drawn	Checked	Description	Drawing No.	Revision No.
1.00	Initial Issue		18/8/8	RP	PC		7185	1.00



Port Side

Profile of Deckplate

**IF USED AS A TEMPLATE
PLEASE CHECK ACCURACY OF
DIMENSIONS ON DRAWING
BEFORE CUTTING OUT
(SEE NOTE 3)**

Centerline of Rod

To Bow Roller

4 Holes $\phi 10(3/8")$ equi spaced on a PCD of $\phi 124$

$\phi 12.7(1/2")$ ON A $130\text{mm}(5 1/8")$ PCD
CUT OUT FOR CHAIN COUNTER

Note:

- 1-BEFORE CUTTING DECK, CHECK ALL UNDERDECK CLEARANCES. READ & UNDERSTAND INSTALLATION INSTRUCTIONS CONTAINED WITHIN THE MANUAL.
- 2-CHECK YOUR MARKED OUT DIMENSIONS CAREFULLY. BEFORE CUTTING & DRILLING. DECK BOLT HOLES MUST BE DRILLED PARALLEL & SQUARE TO MOUNTING FACES.
- 3-MAXWELL MARINE IS NOT RESPONSIBLE FOR ANY INACCURATE DATA, DUE TO REPRODUCTION ERRORS OF FAX MACHINES, PRINTERS, PHOTOCOPIERS ETC.

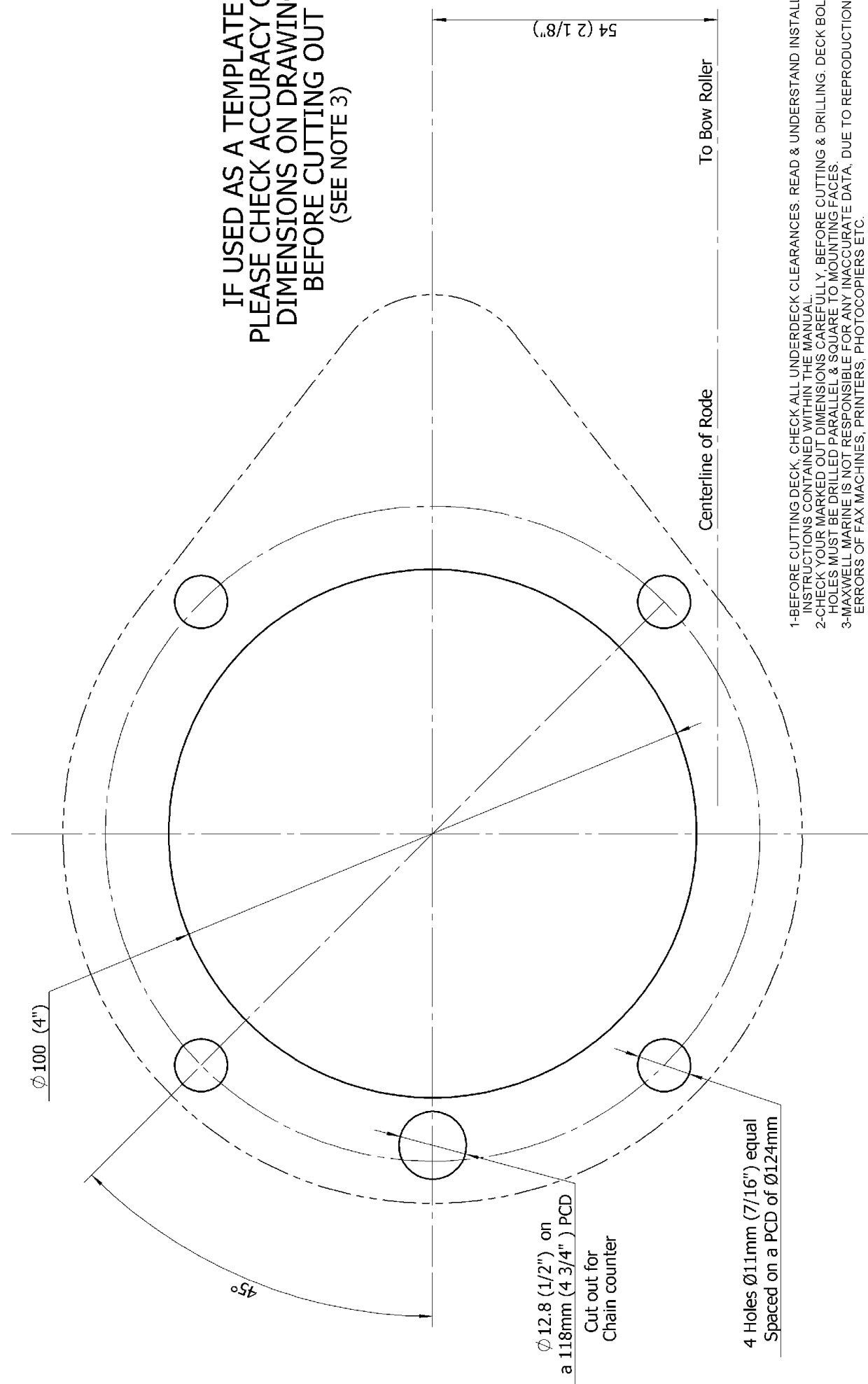
Rev.	Initial Issue	Made on	Des/Drawn	Checked	Description
1.00	Initial Issue	04/11/10	DH	GB	

Drawing No: Revision No:
7522 1.00

File Location: W:\Product Data\components\7500-7599\7522_1.00_dft_Deck Cutout Details - RC10 SS

Deck Cutout Details - RC10 SS

IF USED AS A TEMPLATE
PLEASE CHECK ACCURACY OF
DIMENSIONS ON DRAWING
BEFORE CUTTING OUT
(SEE NOTE 3)



- 1-BEFORE CUTTING DECK, CHECK ALL UNDERDECK CLEARANCES. READ & UNDERSTAND INSTALLATION INSTRUCTIONS CONTAINED WITHIN THE MANUAL.
- 2-CHECK YOUR MARKED OUT DIMENSIONS CAREFULLY. BEFORE CUTTING & DRILLING, DECK BOLT HOLES MUST BE DRILLED PARALLEL & SQUARE TO MOUNTING FACES.
- 3-MAXWELL MARINE IS NOT RESPONSIBLE FOR ANY INACCURATE DATA, DUE TO REPRODUCTION ERRORS OF FAX MACHINES, PRINTERS, PHOTOCOPIERS ETC.

Rev.	Change	Made on	Des/Drawn	Checked	Description:	Drawing No:	Revision No:
2.00	Initial issue	DH	15/12/11		Deck Cutout Details -VW 10	7423	2.00
					Material:		
					<i>Tolerances if none specified</i>		
					0 DECIMAL (X) ±0.5		
					1 DECIMAL (XX) ±0.2		
					2 DECIMAL (XXX) ±0.1		
					ALL ANGLES ±0.5°		
					SURFACE FINISH 1.6		
					Scale 1:1		
					Sheet Size A4		
					1 of 1		
					Sheet		
					1 of 1		

LIMITED WARRANTY

Warranty: Vetus-Maxwell APAC Ltd provides a three year limited warranty on windlasses for pleasure boat usage, and a one year limited warranty for those systems used on commercial or charter vessels. Warranty, service and parts are available around the world. Contact your nearest Vetus-Maxwell office for a complete list of service centres and distributors.

This warranty is subject to the following conditions and limitations:

1. This Warranty will be null and void if
 - (a) there is any neglect or failure to properly maintain and service the products.
 - (b) the products are serviced, repaired or maintained improperly or by unauthorised persons.
 - (c) loss or damage is attributed to any act, matter or omission beyond the reasonable control of Vetus-Maxwell APAC Ltd or the purchaser.
2. Vetus-Maxwell APAC Ltd liability shall be limited to repair or replacement (as determined by Vetus-Maxwell APAC Ltd) of the goods or parts defective in materials or workmanship.
3. Determination of the suitability of the product and the materials for the use contemplated by the buyer is the sole responsibility of the buyer, and Vetus-Maxwell APAC Ltd shall have no responsibility in connection with such suitability.
4. Vetus-Maxwell APAC Ltd shall not be liable for any loss, damages, harm or claim attributed to:
 - (a) use of the products in applications for which the products are not intended.
 - (b) corrosion, wear and tear or improper installation.
 - (c) improper use of the product.
5. This Warranty applies to the original purchaser of the products only. The benefits of the Warranty are not transferable to subsequent purchasers.
6. Vetus-Maxwell APAC Ltd shall not be responsible for shipping charges or installation labour associated with any warranty claims.
7. There are no warranties of merchantability, fitness for purpose, or any other kind, express or implied, and none shall be implied by law. If any such warranties are nonetheless implied by law for the benefit of the customer they shall be limited to a period of three years from the original purchase by the user.
8. Vetus-Maxwell APAC Ltd shall not be liable for consequential damages to any vessel, equipment, or other property or persons due to use or installation of Vetus-Maxwell equipment.
9. This Warranty sets out your specific legal rights allowed by Vetus-Maxwell APAC Ltd ; these may be varied by the laws of different countries. In addition, the purchaser may also have other legal rights which vary from country to country.
10. To make a claim under this Warranty, contact your nearest Maxwell Marine office or distributor. Proof of purchase and authorisation from Vetus-Maxwell APAC Ltd will be required prior to any repairs being attempted.



To be eligible for warranty protection, please either complete the form below at the time of purchase and return it to the appropriate retailer or supplier of the goods, or fill out the electronic warranty form on our website, www.maxwellmarine.com

Purchaser

Name:	Address:
Telephone: Facsimile	

Supplier / Dealer

Name:	Address:
Telephone: Facsimile	

Windlass Model

Serial Number

Date of Purchase	Boat Type	Windlasses Supplied <input type="checkbox"/> With boat <input type="checkbox"/> Fitted by boat yard/dealer <input type="checkbox"/> Purchased from dealer/chandler
Name	L.O.A.	
Built by		



